

Siegbert Spohr GmbH

GIESSEREIBEDARF + FÖRDERBANDROLLEN

Am Korreshof 1-3
D- 40822 Mettmann
<https://www.spohr-gmbh.de>
<https://www.tragrollen24.de>

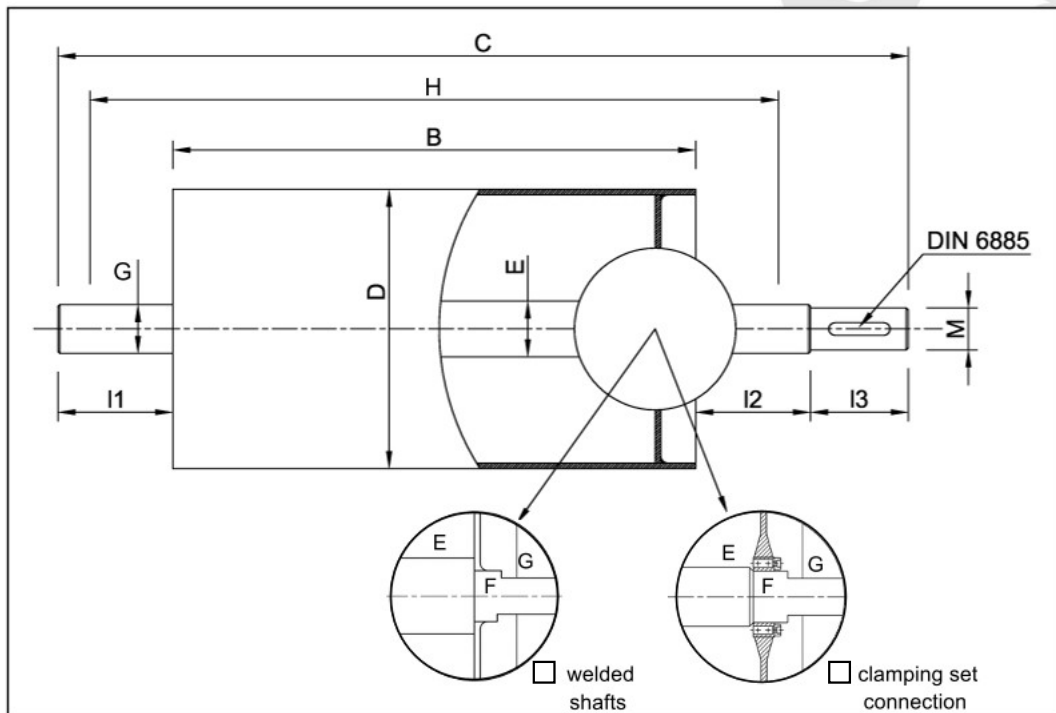
Telefon +49 (0) 2104 70374
Telefax +49 (0) 2104 82550
E-Mail info@spohr-gmbh.de
USt-IdNr.: DE177079130

Questionnaire Drums

for Drive Pulley / Drive Drums (AT)

quantity

Dimension



pulley length	shaft length	pulley-Ø	pulley-Ø core	pulley-Ø clamping set / welded shaft	pulley-Ø bearings	Distance bearings	drive-stem-Ø	Length	Length	Length
B	C	D	E	F	G	H	M	I1	I2	I3

Material + Surface

- Tube steel stainless-steel Wall thickness mm
- Axis steel stainless-steel
- Bearing steel stainless-steel
- Pulley casing cylindrical crowned

- Coating no yes Rubber coating, plain mm
 Rubber coating, rough mm
 Ceramic coating
- Groove acc. DIN 6885 / sheet 1 closed open (Please specify size and location)
- Centering nach DIN 332 without thread with thread IG M
- Painting complete ends without
- Contact flags without with Pieces one-sided double-sided
- Pedestal bearing without with Bearing type 12 (self-aligning bearing)
 Bearing type 22 (self-aligning bearing)
 Bearing type 222 (self-aligning bearing)

non-binding request

Siegbert Spohr GmbH
www.spohr-gmbh.de